

# The general process of TABASCO

Bart Seghers

# Outline

1. Introduction TABASCO
2. Aims and deliverables
3. Model
4. To do
5. Questions and feedback

# Introduction TABASCO (1 of 2)

- Taxonomy BAsed Software COnstruction
  - Domain engineering method for ordering a problem domain (often algorithmic) using a taxonomy and constructing a Domain Specific Toolkit (DST) based on this taxonomy.

# Introduction TABASCO (2 of 2)

1. Selection of a specific problem field
2. Literature survey
3. Taxonomy construction
4. Toolkit design
5. DSL design
6. Toolkit implementation
7. Benchmarking
8. DSL implementation

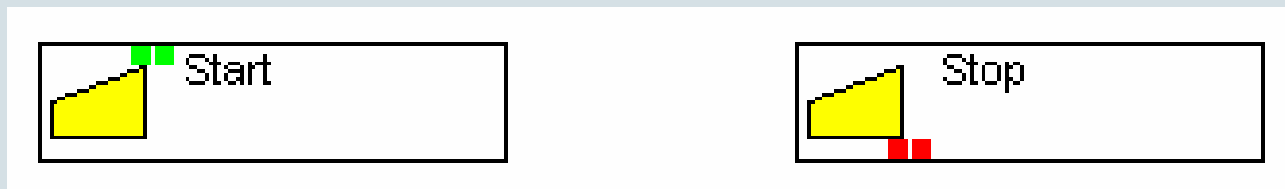
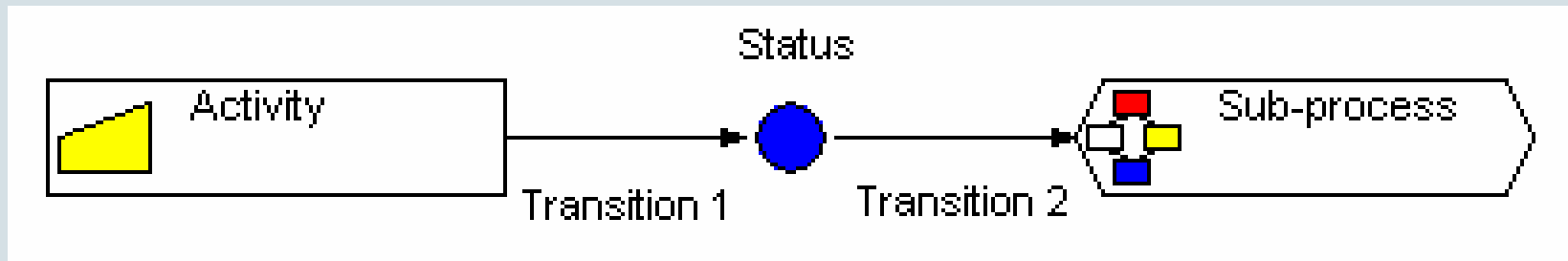
# Aims and deliverables

- Model global process TABASCO
- Common problems
- Framework
  
- Define activities in literature
- Model
- Case study
- Write paper and article

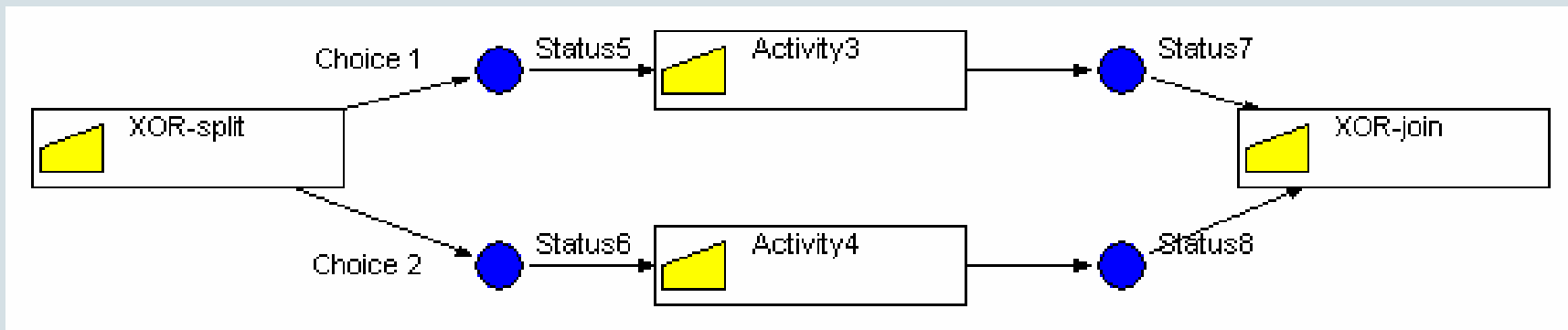
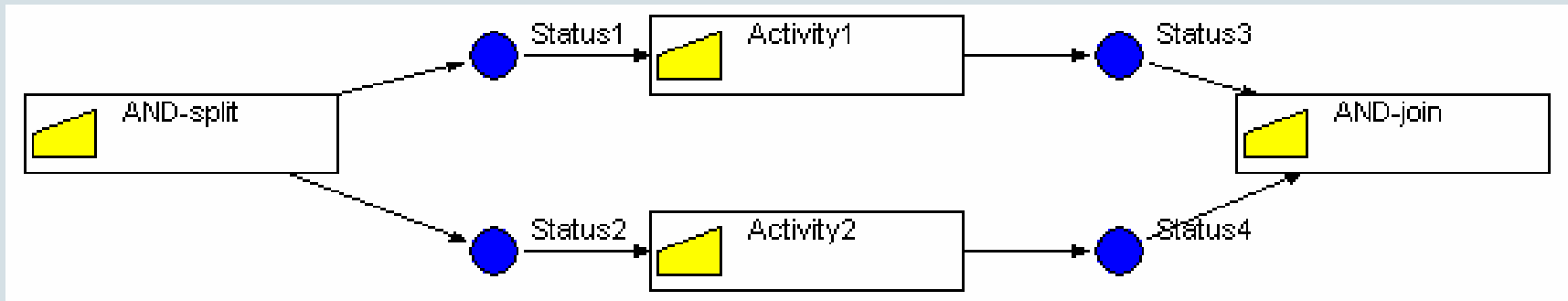
# Model (1 of 6)

- High level petri nets
  - With hierarchy
  - Protos v7.0.0
- Extended with
  - Process description
  - Remarks

# Model (2 of 6)

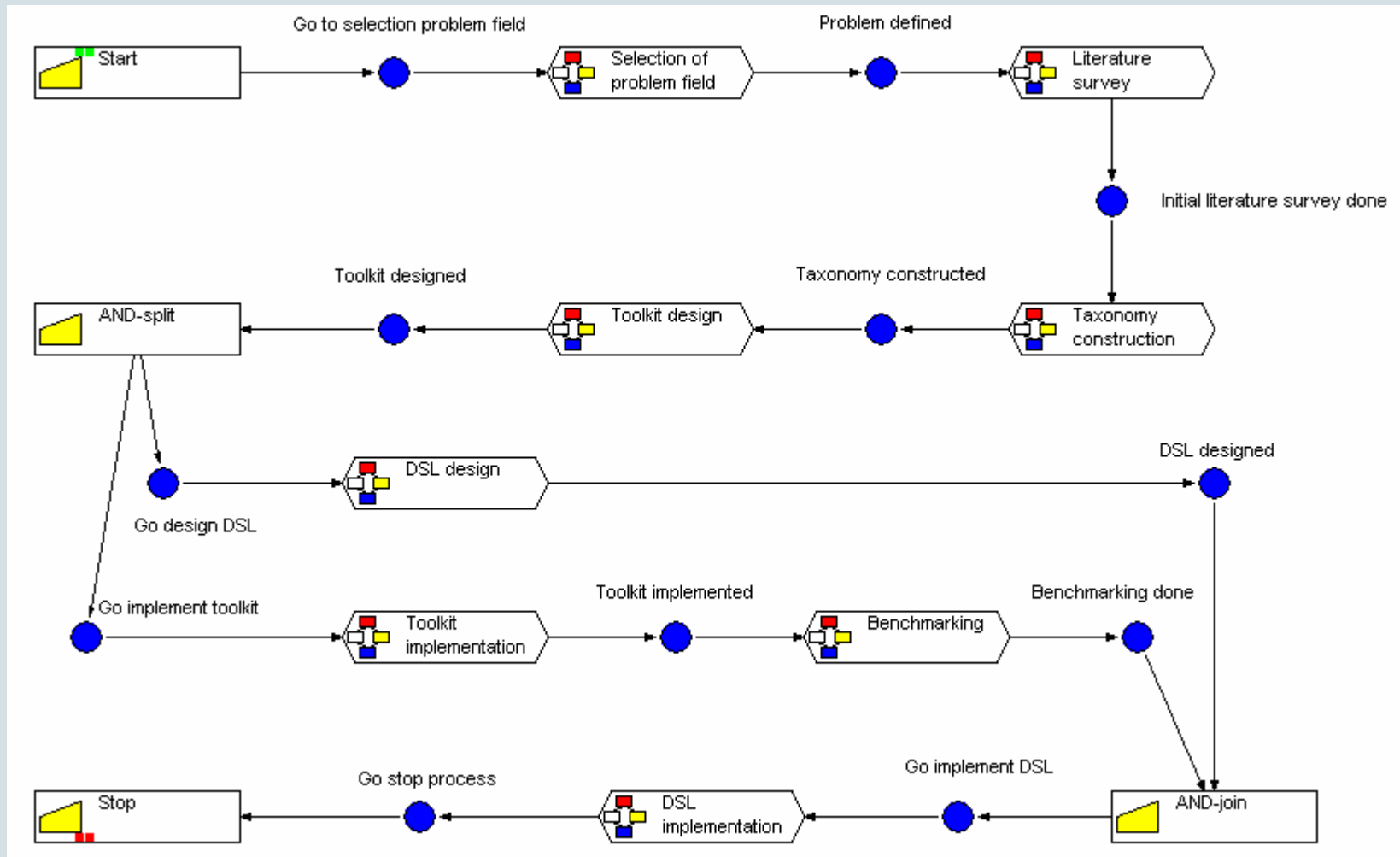


# Model (3 of 6)

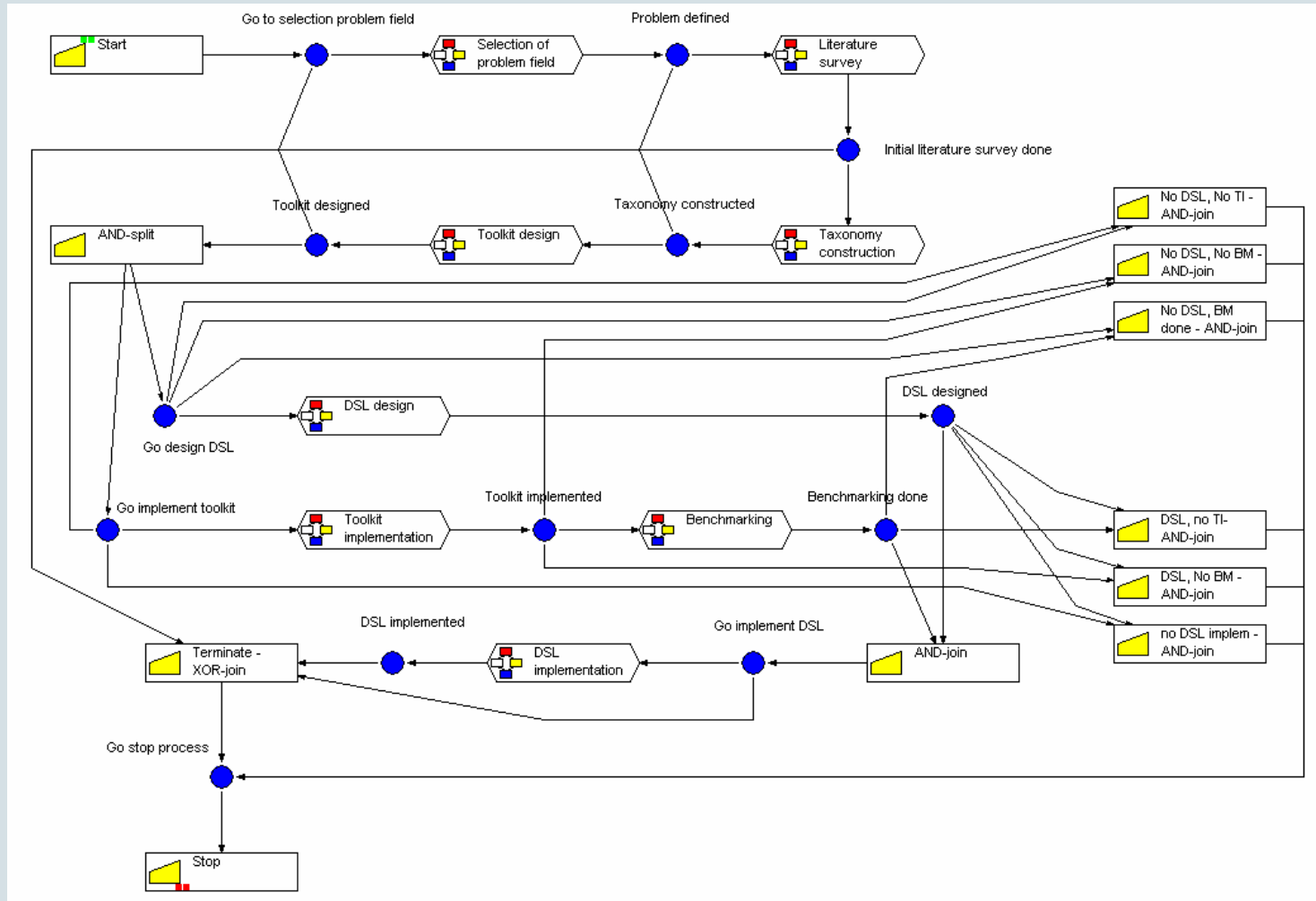




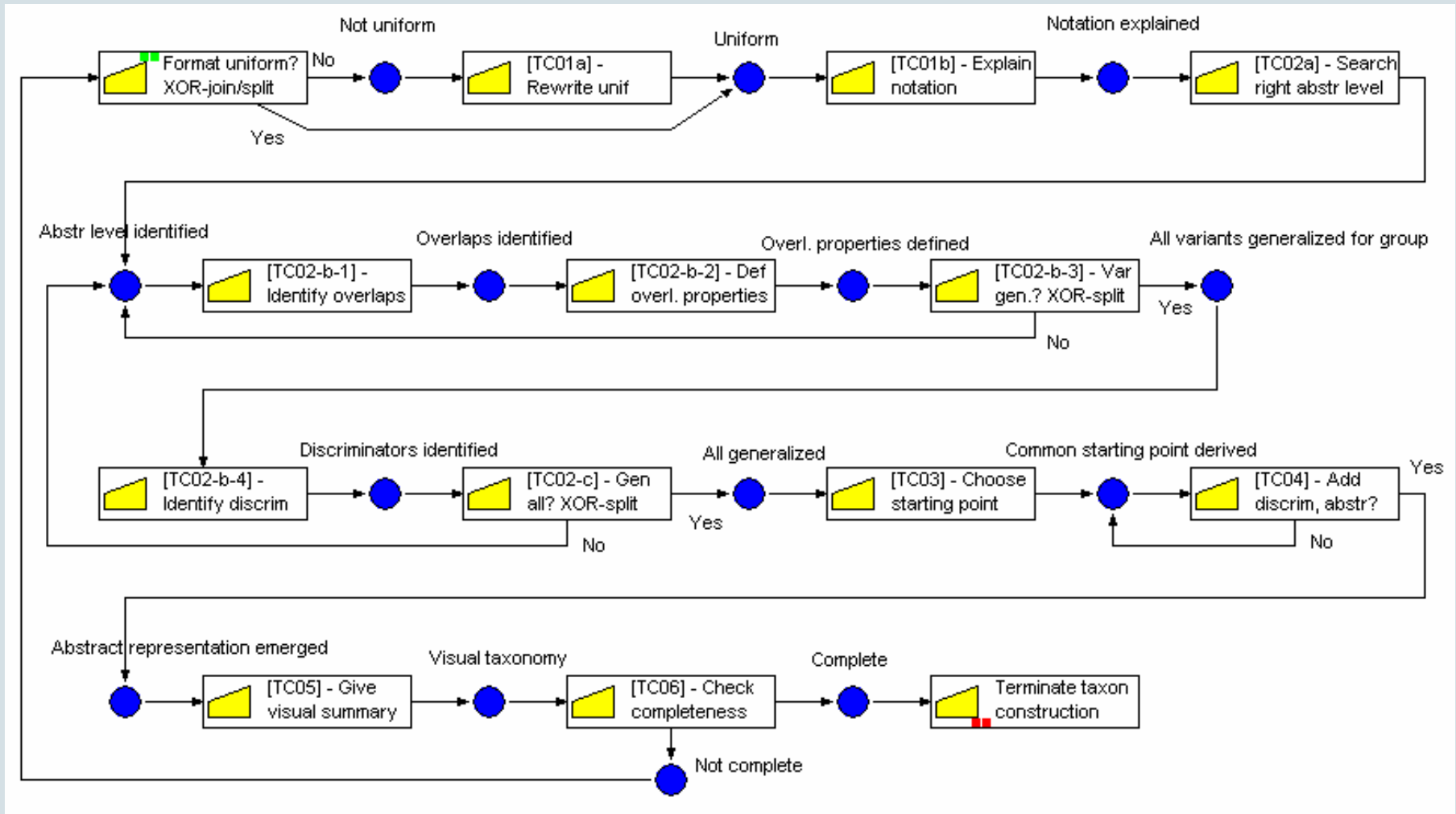
# Model (4 of 6)



# Model (5 of 6)



# Model (6 of 6)



# To do

- Review model
- Case study (on lattices)
- Write paper and article

# Questions and feedback



E-mail: [b.seghers@student.tue.nl](mailto:b.seghers@student.tue.nl)